

qui ottomans



qui ottomans product information

A collection of surfaces and seating, Qui™ is a flexible-use product that offers a multiplicity of deployments in reconfigurable formats. Qui defines and creates environments to encourage meaningful dialogue between colleagues and small-format, touch-point areas for quick interactions and exchanges.

Qui comes from the idea of creating a product collection around the theme of versatility to respond to the new and diverse needs of contemporary life and work. The items are conceived to be used with balance and harmony and create comfortable, cozy spaces that can be experienced and interpreted in different ways. Optional USB power is available in the 44.5" and 60.5" ottomans to integrate technology into the collaborative environment.

Designer
Monica Armani

Collection
B&B Italia Project

Typology
Lounge Seating

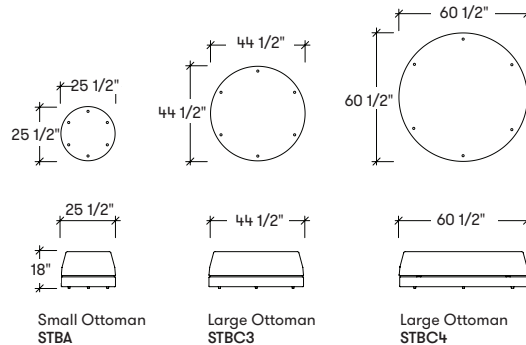
Year
2015



Collection



Dimensions



Fabrics & Finishes

Upholstery

Top, middle and bottom of ottoman can be finished in fabrics available from Luum; com/col

Wood finish

Basque White Oak, Natural Oak, Sierra, Cocoa Brown, Truffle

Thread finish

White, Silver, Black, Navy, Golden Brown, Forsythia, Scarlet, Sunset or Plumb

Studio TK

3940 US 70 Business Hwy, West
Clayton, North Carolina 27520, USA
Tel: 855.941.0262 / Fax: 919.464.2927
www.studiotk.com

©, TM Trademarks of teknon corporation and/or its subsidiaries or licensed to it. Patents may be pending. Some products may not be available in all markets. Contact your local Studio TK representative for availability.
CAN/US/INT 07-15 © Teknion 2017 Printed in Canada SS-095-0025EN