



inPower™ hub

Specifications

Designer
Fig 40

OVERVIEW



- The inPower™ Hub is a “plug & play” modular counter system designed to provide a functional work surface and charging station for public spaces. The tabletop is equipped with an inPower™ Flex 3 module that provides AC and USB charging. Convenient wireless charging devices from Qi Wireless can be integrated into the table top.
- The inPower™ Hub is available with 42” (1067 mm), 36” (914.5 mm) or 30” (762 mm) top widths for wall mounted applications, provide work space for up to 2 users used without consuming excessive floor space.
- inPower™ Hub is available in a variety of finishes and colors.

CONSTRUCTION DETAILS



The inPower™ Hub is based on a modular structure. The same top sub-structure components are used to build all versions, but leg lengths change as required. The 3 leg length options give table top heights of 42” (1067 mm), 36” (914.5 mm) or 30” (762 mm). The overhanging length at the end of the tables allow inPower™ Hubs to be placed end to end and appear as a continuous counter.

Each leg is equipped with 2 polished leveling glides. Optionally the glides can have added non-slip rubber bottom surfaces for use on hard floors.

Each unit can house an inPower™ Flex power module.

Tops

- Table tops for inPower™ Hub are available in FENIX and Solid surface countertop materials. Customers select the pattern/color used.
- Solid surface materials are normally ½” (12.7 mm) thick. inPower™ Hub table tops include an additional layer built up along the edges to create the appearance of 1” (25 mm) thickness. Solid surface tops are bonded to a ½” (12.7 mm) MDF substrate equipped with threaded inserts to provide a durable connection to the inPower™ Hub frame. FENIX is normally supplied in a 24 mm thickness.
- Tops can be provided with 2 Qi modules for wireless charging.



Electrical Specifications

- An inPower™ Hub unit will include an inPower™ Flex module and may include 2 Qi wireless charging modules with associated power supply.
- All power entering the inPower™ Hub passes through the inPower™ Flex module. A circuit breaker on this unit will limit the maximum current to 12 Amps. This will prevent the nuisance tripping of the building branch circuit breaker if the inPower™ Hub draws an unexpected high current.
- All 120VAC devices are approved by NRTL (Nationally Recognized Testing Labs) authorities.
- Each inPower™ Hub is field inspected/Field Evaluated by inspectors from an NRTL approved to inspect to the NEC (US National Electrical Code) and CEC (Canadian Electrical Code). The inspector will affix labels indicating the successful inspection.
- Electrical Input
 - 120 VAC, 12 Amp max per table
 - 6-foot power cord equipped with 3-prong plug (NEMA 5-15P)



- Electrical Outputs
 - 120 VAC 10 Amp total max receptacle (NEMA 5-15R) on each inPower™ Flex module
 - 92.8W max DC power with variable voltage output, per USB Type-C ports on each inPower™ Flex module, 10W Wireless charging if 2 Qi wireless charging modules are added.

Assembly

Units are shipped partially assembled in knocked-down kits from our plant.

Materials and Finishes

Leg and Table Frames

- Powder coated steel
- Matte black or color as specified

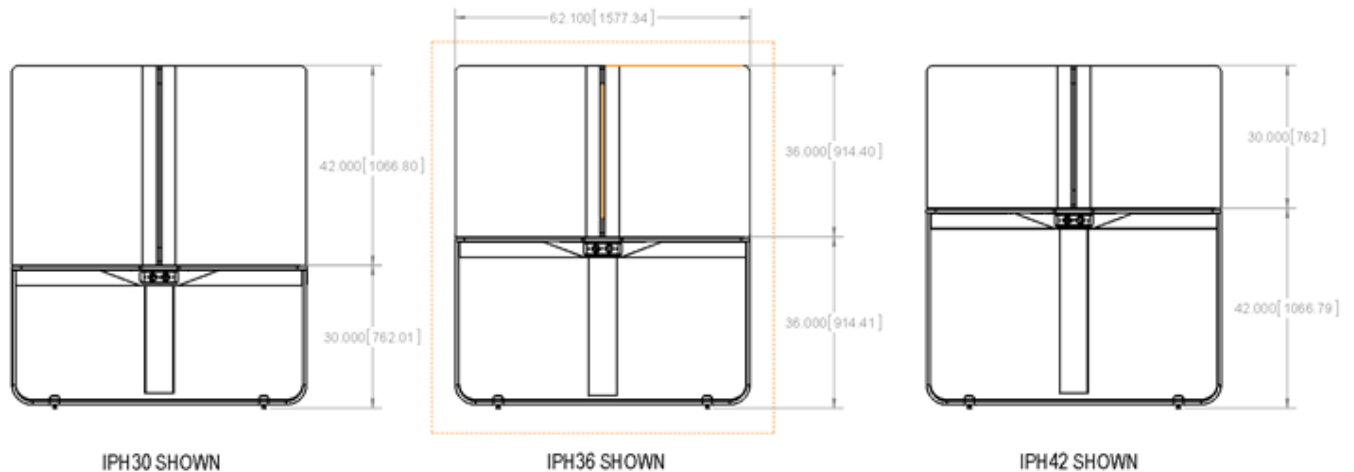
Table Top

- FENIX or solid surface

Glides

- Black Oxide Steel with Zinc-Plated Steel Stud

TYPICAL DIMENSIONS



ENVIRONMENT

- Arconas public seating can help customers achieve the following Commercial Interiors LEED credits:
- MR Credit 3.3 – 30% Furniture and Furnishings Intent: Reuse building and materials in order to reduce demand for virgin materials and reduce waste, thereby reducing impacts associated with the extraction and processing of virgin resources.
- Arconas public seating is designed to be refurbished after many years of use.
- MR Credit 4.1 and 4.2 – Recycled Content Intent: Increase demand for building products that incorporate recycled material, reducing impacts resulting from extraction and processing of virgin materials.
- Steel components include 30% recycled content. (All Setz and Landings, Flyaway, Bernù, Bernù Aero back pans, inPower™ Hub.)
- Cast Aluminum components include 10% recycled content. (Flyaway, Bernù and Aerea)
- Extruded Aluminum components include 70% recycled content including 10% post-consumer. (Bernù, Bernù Aero and Aerea beams)
- MR Credit 5.1 – Regional Materials Intent: Increase demand for building materials and products that are extracted and manufactured within the region.
- Help with this point will depend on project location.
- EQ Credit 4.5 – Low Emitting Materials, Furniture and Furnishings Intent: Reduce the use of furniture assemblies that may release indoor air contaminants that are odorous or potentially irritating and might be deleterious to installer and occupant health, comfort and well-being.
- Arconas paints are free of V.O.C.s in formulation as outlined by the U.S. Code of Federal Regulations Title 40, Part 60, Appendix A, referenced in GS-11, 4.1.1.